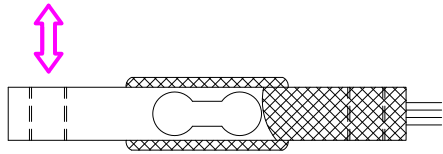
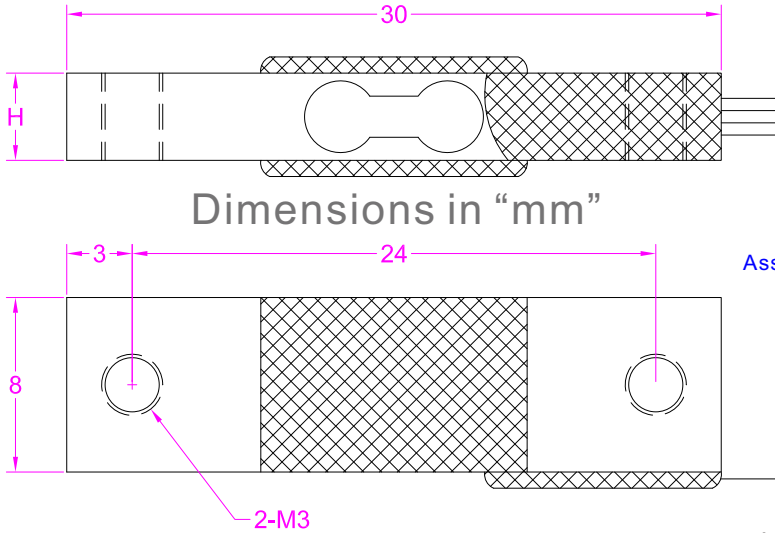


Load direction/荷重方向



Model	H	Rated output	Capacity(kg)
FMZV	4	0.5±0.15mV/V	0.5/1/2/3/5
FMZW	6	1.0±0.15mV/V	0.5/1/2/3/5/6/10

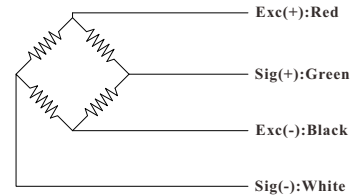


Ordering code

FMZW-5kg

Model Capacity

Wiring Diagram



--- Specifications / 规格参数 ---

Capacity/量程	FMZV: 0.5~5kg		FMZW: 0.5~10kg	
Rated Output 额定输出	0.5(1.0)±0.15mV/V	Compensated Temp. 温度补偿范围	0...+40°C	
Excitation 激励电压	3~10V	Operating Temp. 工作温度范围	-10...+60°C	
Zero Balance 零点输出	±0.1mV/V	Temp. Shift Zero 零点温度漂移	±0.03% of R.O./°C	
Nonlinearity 非线性	±0.05% of R.O.	Temp. Shift Span 灵敏度温度漂移	±0.02% of R.O./°C	
Hysteresis 滞后	±0.05% of R.O.	Input Resistance 输入阻抗	1000±100Ω	
Nonrepeatability 非重复性	±0.05% of R.O.	Output Resistance 输出阻抗	1000±10Ω	
Creep(2min) 蠕变(2min)	±0.05% of R.O.	Insulation Resistance 绝缘阻抗	>2000MΩ(50V)	
Safe Overload 安全过载	120% of F.S.	Ingress Protection 防护等级	IP62	
Ultimate Overload 极限过载	150% of F.S.	Material of Element 弹性体材料	Aluminum alloy 铝合金	
Cable 导线	AWG32*90mm(Customized cable available)			
R.O.=Rated Output/额定输出 F.S.=Full Scale/满量程				

• Subject to change without notice / 如有更改,不另行通知